



# Instruction Manual

# RMT-1200

1200W Trailing Edge Wireless Dimmer



2024

Version 2.0.0



For more information relating to the RMT-1200, see the [Wireless Module Application Sheet](#), [Wireless RAK Application Sheet](#), and [Wireless Device LED Diagnostics](#).

For programming a wireless system, including the device in this manual: [Wireless Module Programming Guide](#)

## Contents

1. [What is the RMT1200?](#)
2. [Loadings](#)
3. [Installation](#)
4. [Initial Checks](#)
5. [Programming the RMT1200](#)
6. [Appendix 1: LED Diagnostics](#)

## What is the RMT1200?

The RMT-1200 is a trailing edge dimming module designed for mains dimmable LED's and trailing edge dimmable loads.

RMT1200 dimmers are not suitable for inductive loads such as wire-wound transformers or electric motors.

## Loadings

Minimum	1W
Maximum	1200W
Low-voltage transformer loads	1080W (de-rate by 10%)
Mains voltage LEDs	600W (de-rate by 50%)

## Installation of the RMT1200

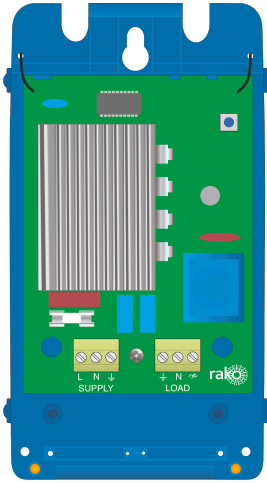
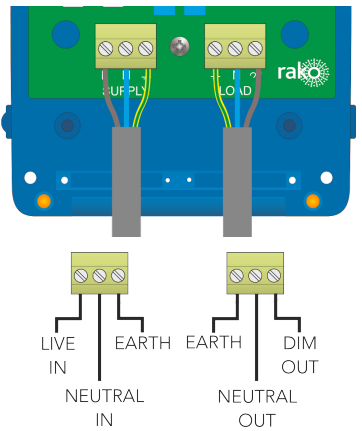
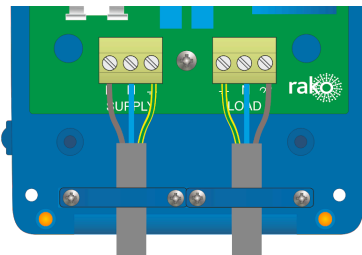
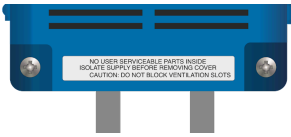
### **⚠ WARNING**

Installation should only be carried out by a competent electrician.

- RMT1200 modules should be mounted in areas that are adequately ventilated, dry, and outside of any metal enclosed casings that may interfere with the wireless signal.



- Modules should be mounted vertically, with the terminals at the bottom.
- Ensure that cable clamps are securely fitted on the supply and load cables.
- While the modules are designed to be completely maintenance-free, they should be mounted in an accessible location should investigation or re-addressing of the units be necessary.

STEP 1:		Remove the cover by removing the two screws at the bottom of the unit, pulling the bottom of the cover away from the bottom, and lifting it up.
STEP 2:		Insert the supply IN conductors as well as the load OUT conductors.
STEP 3:		Fit the supplied cable clamps and ensure the cable is unable to move.
STEP 4:		Replace the cover and replace the screws.

## Initial Checks

When power is initially connected to the module, the load should power up to full brightness.



The button on the top right of the unit can be used to put the device into set up mode as well as toggle the load on and off for testing purposes.

The LED on the circuit board flashes four times when the module receives any Rako wireless message and is a useful diagnostic indicator. This function becomes inactive after 20 minutes to avoid a nuisance light spill but can be re-activated by pressing the setup button.

## Programming the RMT1200

Once the RMT1200 has powered up and been tested with the setup button located at the top right of the board, the device is ready to be programmed. For instructions on how to program the RMT1200, see the [Wireless Module Setup Guide](#).

## Appendix 1: LED Diagnostics

Wireless Range	LED Pulses	Description
Good wireless reception		When the unit is receiving successfully, there will be four rapid pulses on the LED when any wireless message is sent.
Bad wireless reception		When the unit is out of range, there will be intermittent pulses on the LED when any wireless message is sent.  <b>NB</b> It is recommended to install a wireless repeater (WRB-100) if you are experiencing intermittent wireless range.

Should the module not respond to any of the above, further investigation must be made before proceeding any further.

Thank you for choosing Rako Controls; we hope that you are pleased with your system. Should you require further assistance, please contact us via our website, [www.rakocontrols.com](http://www.rakocontrols.com), or by calling our customer support helpline on 01634 226666.

